

IS 35 E / 45 E / 60 E

English

Instantaneous shower water heater - Operation and installation instructions

ไทย

คู่มือแนะนำการใช้งานและติดตั้งเครื่องทำน้ำอุ่น

This water heater must be installed (water and electrical installation), commissioned and serviced by approved service technicians in accordance with these instructions.

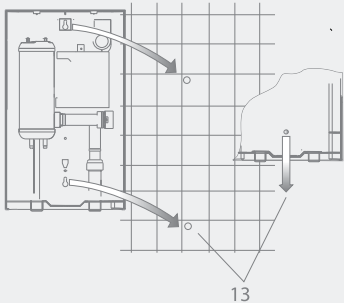
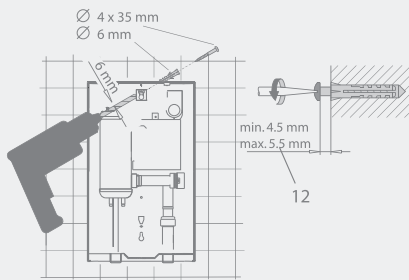
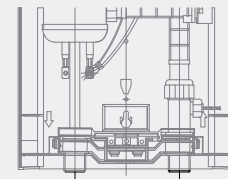
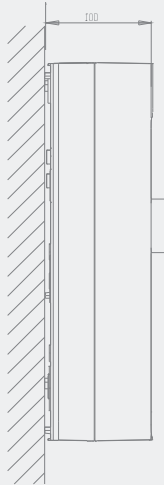
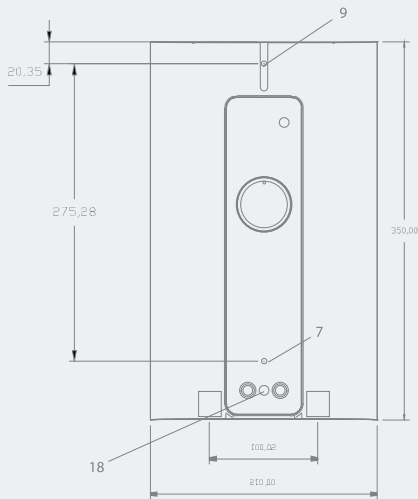
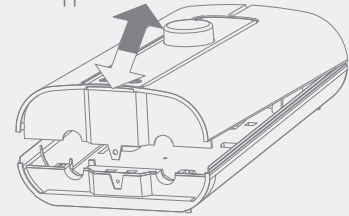
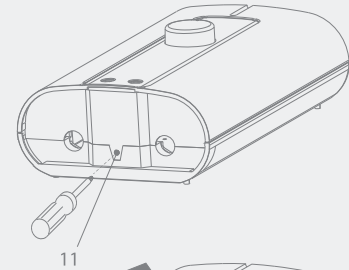
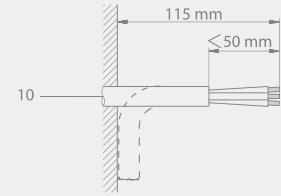
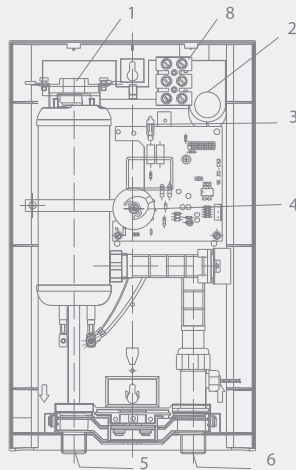
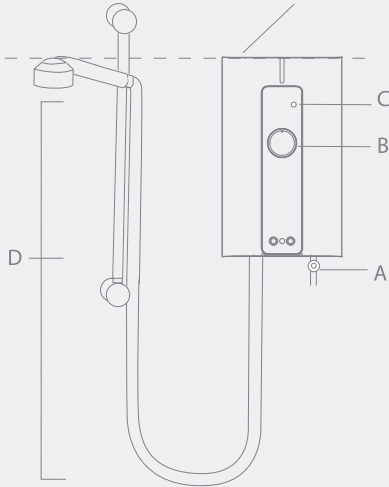
เครื่องทำน้ำอุ่นนี้จะต้องทำการติดตั้งตามวิธีการในคู่มือโดยช่างผู้ชำนาญงานเท่านั้น



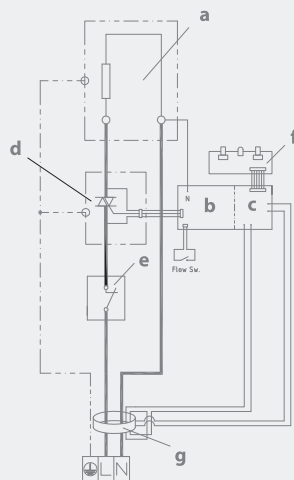
STIEBEL ELTRON

Installation instructions

Shower head level must not be higher than the unit.

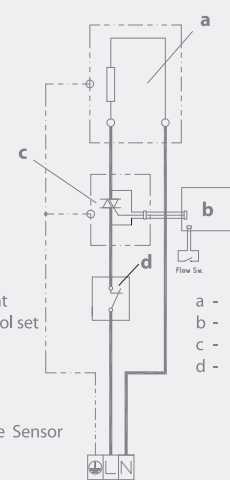


Type IS...E



220-240 V. AC. ONLY

Type IS...



220-240 V. AC. ONLY

- a - Heating Element
- b - Electronic control set
- c - ELSD Circuit
- d - Triac Set
- e - Thermostat
- f - Button Board
- g - Current Leakage Sensor

- a - Heating Element
- b - Electronic control set
- c - Triac Set
- d - Thermostat

1. Operating instructions

for the user and the qualified installer

1.1 Description of the unit

The Stiebel Eltron **IS** pressureless (open) instantaneous water heater is a device for heating water for shower. The electrical power is electronically controlled. The flow is switched on and off by using the water valve. The unit switches the power on once the flow volume reach 1.5-2 l/min. The "Power" light (C) indicates that the unit is switched on. If the temperature adjustment rotary (B) switch is turned to the left, it is possible to take a cold shower (the heating will not be switched on.) The **IS** is fitted with an overheating protection device. In the event of overheating the heating power will be cut off.

1.2 The essentials - in brief

- A Water valve
- B Rotary control for temperature adjustment
- C "Power" light
- D Shower accessories

1.3 Important information



The unit must not be put under pressure. The outlet of the unit is also used as a vent. A periodical scale removal is essential for the function of the shower head.



The unit is optionally equipped with an ELSD (Type **IS..E** only) It is recommended to test the ELSD one time per month.

How to test:

Switch on the electrical supply. Press the Test button, the Trip light will go on. Press the Reset button.

Warning!

If the Trip light activate after reset or if the light activate during shower, never try to fix it. Contact your dealer for a check and repair.



Warning!

If, during a shower, the water valve is closed, (such as applying soap to the body), then valve opened again, high water temperature may occur, to avoid risk of scalding, stay any from the shower head discharge zone momentarily.

1.4 Care and Maintenance

All that is needed for the housing is a damp cloth. Do not use any abrasive cleaning agents or agents containing solvents.



Maintenance work may only be carried out by a qualified installer.

1.5 Hot water capacity

The hot water capacity depends on the power of the unit, the cold water temperature, and the flow volume.

1.6 Technical data (the data on the unit rating plate apply)

Type	IS		
	35 35E	45 45E	60 60E
Design	Open outlet		
Rated pressure	0MPa / 0 bar		
Water connection	G 1/2"		
Electrical connection	1/N/PE~220..240V		
Rated power (kW) - Rated current (A)	kW - A	kW - A	kW - A
	220 V	3.5 - 15.9	4.5 - 20.5
	230 V	3.8 - 16.5	4.9 - 21.3
240 V	4.2 - 17.5	5.4 - 22.5	7.1 - 29.6

2. Installation instructions

for the user and the qualified installer

2.1 Technical data

- 1 Double action thermostat
- 2 Cable duct for electrical connection
- 3 Power light
- 4 Rotary control for temperature adjustment
- 5 Hot water connection for shower hose
- 6 Cold water connection
- 7 Lower fixing hole
- 8 Position for electrical connection
- 9 Upper fixing hole
- 10 Connection cable
- 11 Cover securing screw
- 12 Depth for mounting screw
- 13 Rear wall installation
- 14 Combination filter/seal
- 15 Washer
- 16 Union nut and washer, provide by client

- 17 Water valve
- 18 ELSD (option)

2.2 Regulations and Provisions

- Regulations of the local power supply company should be observed.
- Regulations of the water supply company should be observed
- Technical data.
- Install the unit flush with the wall.
- Electrical connection to be secure.



The device must be capable of being isolated from the mains, for example by fuses, with an isolating distance of at least 3.5 mm, in all poles.



The unit must be earthed (see circuit diagram). To protect against water penetration, the cable seal (2) must be used.

2.3 Important note



All the information in these Operating and Installation Instructions must be carefully followed. These instructions provide important details regarding the safety, operation, installation, and maintenance of the unit.

2.4 Installation location



The shower unit is to be installed in a closed, frost-free room (disconnected units are to be stored in a frost-free location, since there will always be some water left in the unit) The **IS** is to be installed vertically on a wall (hot water connection downwards).

2.5 Installing the unit

1. Flush the cold water pipe thoroughly.
2. Fit a secure connection cable (10 ensure dimensions are correct).
3. Release cover securing screw (11).
4. Remove cover.
5. Determine the position of the drillholes and drill the holes. Insert the wall plugs and screw in the screws (ensure screw insertion depth is correct, 12).
6. Feed the connection cable through the cable seal (2) in the rear wall. Guide the unit over the wall securing screws and slide it downwards (13).
7. Fit the cold water connection. Connect the water valve (17) with the filter (14) and the washer (15) to the cold water inlet of the unit (6). Tighten the union nut and washer (16) to the water valve.
8. Straighten the unit and tighten the screws.
9. Connect the electrical supply.
10. Fit the cover and secure with the screw.
11. Turn the rotary control (B) to the left and right (internal setting lever will engage).
12. Fit the shower accessories to the unit.



The outlet must not be connected to any tab or fitting other than those specified

2.6 First operation (Only to be carried out by a qualified installer)



Before switching on, set the rotary water valve to "Max" setting until the pipework and the unit are free of air.

- Check the operation of the water heater.
- Before switching "ON" set the rotary temperature to "OFF"

Handing over the unit

Explain to the user how the unit works and familiarise him or her with its use.

- Advise the user about possible hazards (high water temperature)
- Hand over these instructions, to be kept in a safe place.

2.7 Service note



When carrying out any work, isolate the unit from the mains and shut off the water connection.

- Clean the filter

Disconnect water valve (17), remove filter (14) and clean. Re-assemble in reverse order.

3. Guarantee

For guarantees please refer to the respective terms and conditions of supply for your country.



The installation, electrical connection and first operation of this appliance should be carried out by a qualified installer.

The company does not accept liability for failure of any good supplied which have not been installed and operated in accordance with the manufacture's instructions.

4. Fault elimination for the user

Fault	Cause	Rectification
No hot water despite flow volume setting at right-hand stop. "Trip" - light on	The water flow volume required for the unit to turn on has not been reached. - The shower head is blocked with dirt or limescale. - Flow volume too low. - ELSD activated	- Clean shower head or remove limescale. - Increase flow volume. - Press " Reset " - button.
The unit is not being switched on. Electricity supply and flow available.	The water flow volume required for the unit to turn on has not been reached. - Filter in the cold water connection pipe blocked with dirt. - Water pressure not enough	- Clean the filter after shutting off the cold water intake. - Increase mains pressure